

**Amplifier, Power, 2.0 W
6.5—9.5 GHz**

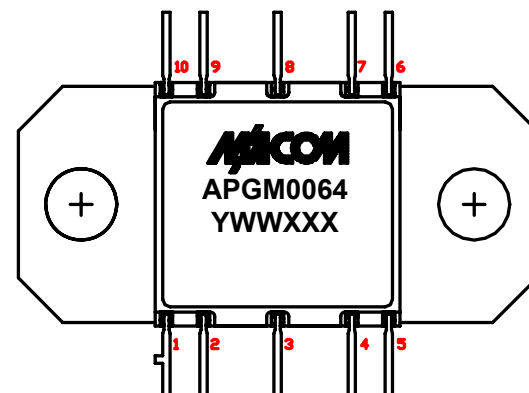
MAAPGM0064
903261 —
Preliminary Information

Features

- ◆ 2 Watt Saturated Output Power Level
- ◆ Variable Drain Voltage (4-10V) Operation
- ◆ MSAG™ Process
- ◆ High Performance Ceramic Bolt Down Package

Primary Applications

- ◆ Multiple Band Point-to-Point Radio
- ◆ SatCom
- ◆ ISM Band



Description

The MAAPGM0064 is a 2-stage 2 W power amplifier with on-chip bias networks in a bolt down ceramic package, allowing easy assembly. This product is fully matched to 50 ohms on both the input and output. It can be used as a power amplifier stage or as a driver stage in high power applications.

Each device is 100% RF tested to ensure performance compliance. The part is fabricated using M/A-COM's GaAs Multifunction Self-Aligned Gate Process.

M/A-COM's MSAG™ process features robust silicon-like manufacturing processes, planar processing of ion implanted transistors and multiple implant capability enabling power, low-noise, switch and digital FETs on a single chip. The use of refractory metals and the absence of platinum in the gate metal formulation prevents hydrogen poisoning when employed in hermetic packaging.

Pin Number	RF Designator
1	No Connection
2	V _{GG}
3	RF IN
4	V _{GG}
5	No Connection
6	No Connection
7	V _{DD}
8	RF OUT
9	V _{DD}
10	No Connection

Maximum Operating Conditions ¹

Parameter	Symbol	Absolute Maximum	Units
Input Power	P _{IN}	23.0	dBm
Drain Supply Voltage	V _{DD}	+12.0	V
Gate Supply Voltage	V _{GG}	-3.0	V
Quiescent Drain Current (No RF, 40% Idss)	I _{DQ}	950	mA
Quiescent DC Power Dissipated (No RF)	P _{DISS}	7.9	W
Junction Temperature	T _J	180	°C
Storage Temperature	T _{STG}	-55 to +150	°C

1. Operation outside of these ranges may reduce product reliability.

Amplifier, Power, 2.0 W
6.5—9.5 GHz

MAAPGM0064
903261 —
Preliminary Information

Recommended Operating Conditions

Characteristic	Symbol	Min	Typ	Max	Unit
Drain Supply Voltage	V_{DD}	4.0	8.0	10.0	V
Gate Supply Voltage	V_{GG}	-2.4	-2.0	-1.3	V
Input Power	P_{IN}		18.0	21.0	dBm
Junction Temperature	T_J			150	°C
Thermal Resistance	Θ_{JC}		12.4		°C/W
Package Base Temperature	T_B			Note 2	°C

2. Maximum Package Base Temperature = 150°C — $\Theta_{JC} * V_{DD} * I_{DQ}$

Electrical Characteristics: $T_B = 40^\circ\text{C}^3$, $Z_0 = 50 \Omega$, $V_{DD} = 8\text{V}$, $I_{DQ} \approx 600 \text{mA}$, $P_{in} = 18 \text{dBm}$, $R_G \approx 120\Omega$

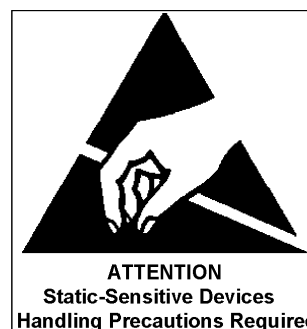
Parameter	Symbol	Typical	Units
Bandwidth	f	6.5-9.5	GHz
Output Power	POUT	33	dBm
Power Added Efficiency	PAE	30	%
1-dB Compression Point	P1dB	32	dBm
Small Signal Gain	G	17	dB
Input VSWR	VSWR	1.8:1	
Output VSWR	VSWR	3.0:1	
Gate Supply Current	I_{GG}	< 5	mA
Drain Supply Current	I_{DD}	< 1	mA
Noise Figure	NF	9.5	dB
2 nd Harmonic	2f	-20	dBc
3 rd Harmonic	3f	-45	dBc
Output Third Order Intercept	OTOI	41	dBm
3 rd Order Intermodulation Distortion, Single Carrier Level = 20 dBm	IM3	-10	dBm
5 th Order Intermodulation Distortion, Single Carrier Level = 20 dBm	IM5	-25	dBm

3. Adjust V_{GG} between -2.4 and -1.3 V to achieve indicated I_{DQ} .

Operating Instructions

This device is static sensitive. Please handle with care. To operate the device, follow these steps.

1. Apply $V_{GG} = -1.7 \text{V}$, $V_{DD} = 0 \text{V}$.
2. Ramp V_{DD} to desired voltage, typically 8 V.
3. Adjust V_{GG} to set I_{DQ} , (approximately @ -1.7V).
4. Set RF input.



**Amplifier, Power, 2.0 W
6.5–9.5 GHz**

MAAPGM0064
903261 —
Preliminary Information

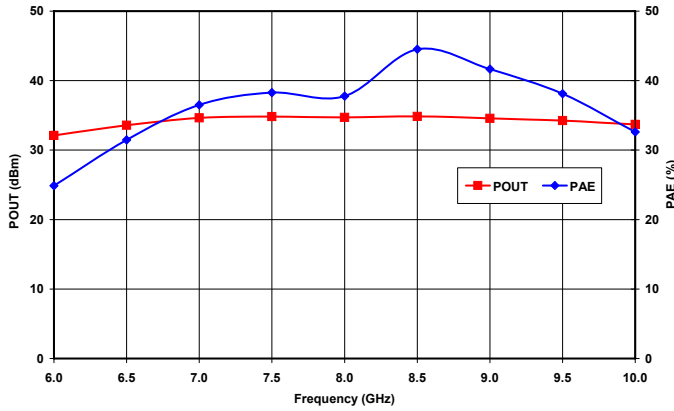


Figure 1. Output Power and Power Added Efficiency vs. Frequency at $V_{DD} = 8V$ and $P_{IN} = 18$ dBm

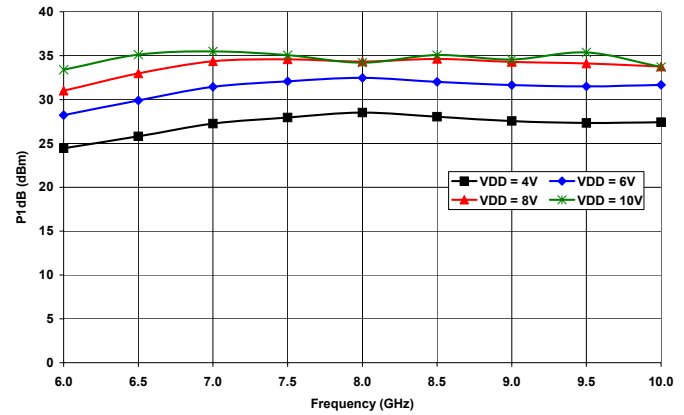


Figure 2. 1dB Compression Point vs. Drain Voltage

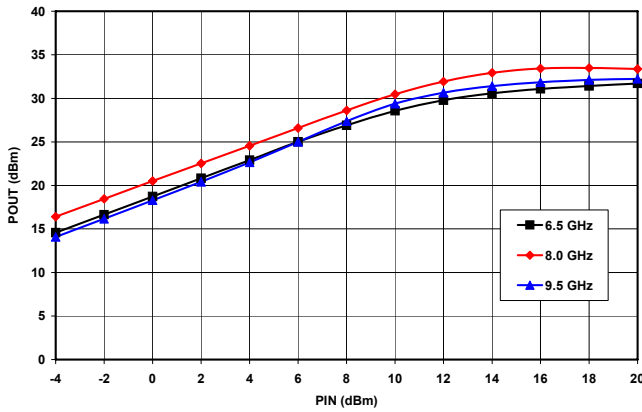


Figure 3. Output Power vs. Input Power at $V_{DD} = 8V$

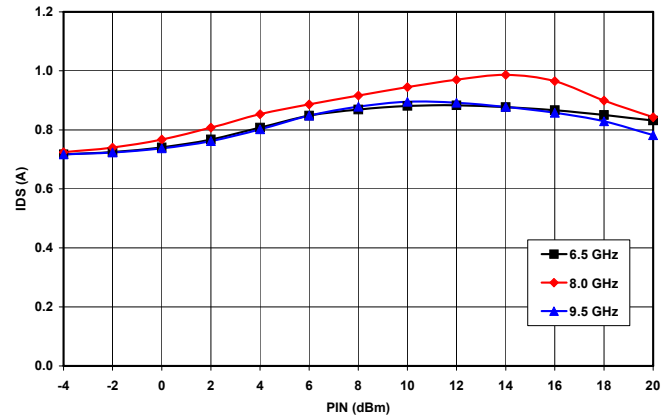


Figure 4. Drain Current vs. Input Power at $V_{DD} = 8V$

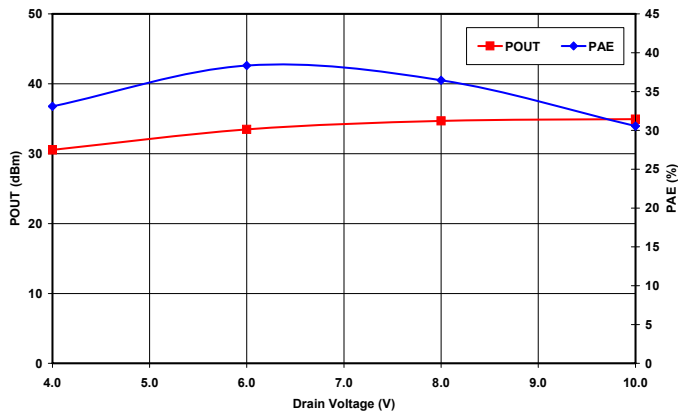


Figure 5. Saturated Output Power and Power Added Efficiency vs. Drain Voltage at $f_0 = 8$ GHz

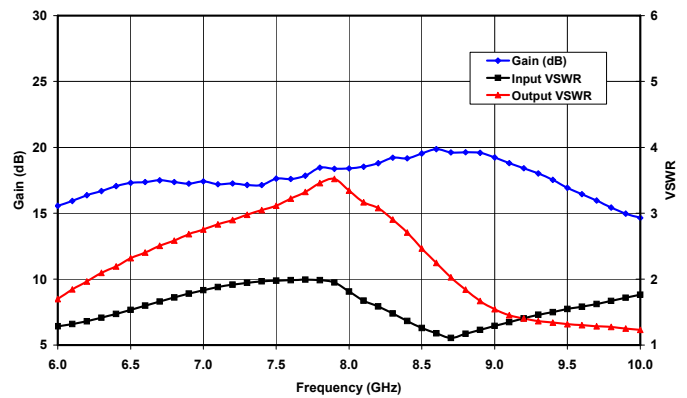


Figure 6. Small Signal Gain and VSWR vs. Frequency at $V_{DD} = 8V$.

**Amplifier, Power, 2.0 W
6.5—9.5 GHz**

MAAPGM0064
903261 —
Preliminary Information

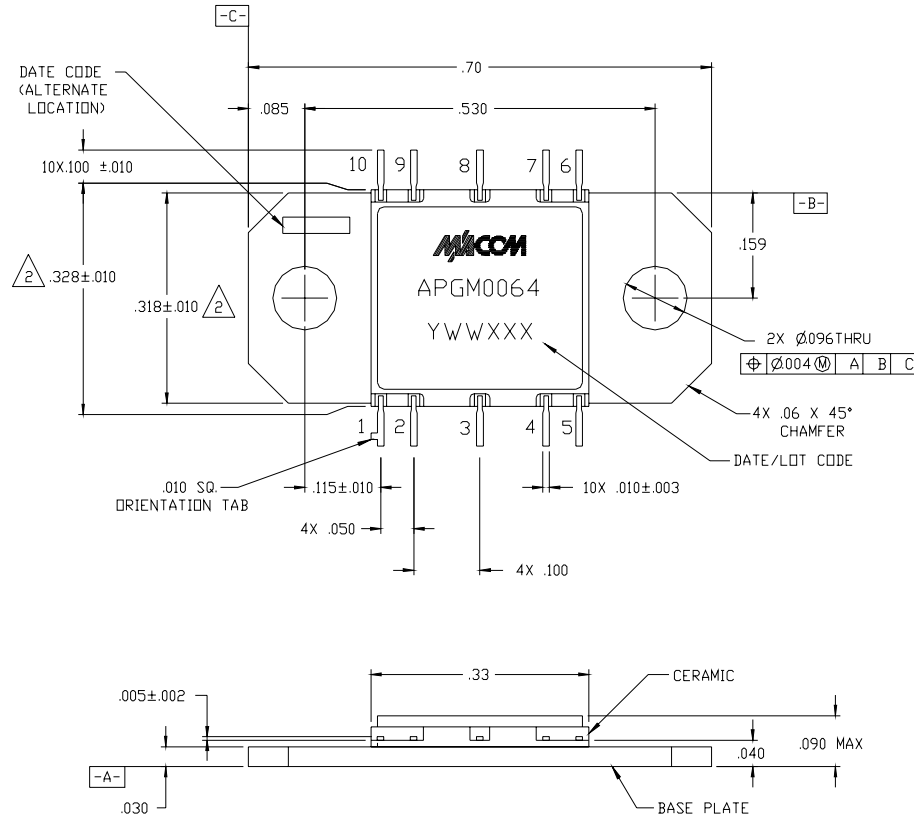


Figure 7. CR-15 Package Dimensions

The CR-15 is a high frequency, low thermal resistance package. The package consists of a cofired ceramic construction with a copper-tungsten base and iron-nickel-cobalt leads. The finish consists of electrolytic gold over nickel plate.

Amplifier, Power, 2.0 W
6.5—9.5 GHz

MAAPGM0064
903261 —
Preliminary Information

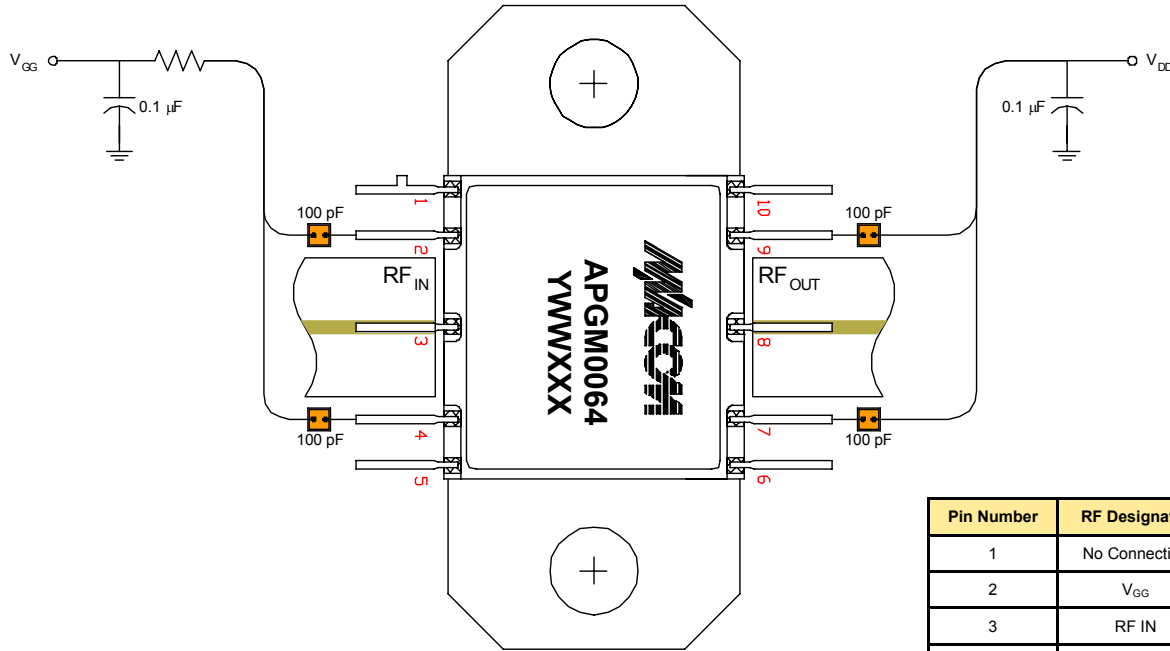


Figure 8. Recommended Bias Configuration

Pin Number	RF Designator
1	No Connection
2	V _{GG}
3	RF IN
4	V _{GG}
5	No Connection
6	No Connection
7	V _{DD}
8	RF OUT
9	V _{DD}
10	No Connection

Assembly Instructions:

This flange mount style package provides a robust interface between a highly integrated GaAs MMIC device and a circuit board which may be assembled using conventional surface mount techniques. A thin shim made of a thermally and electrically conductive, ductile material should be used prior to installation of the CR-15 to improve the thermal and electrical performance of the package to housing interface. Refer to **M/A-COM Application Note #M567*** for more information.

For applications where surface mount components are to be installed after the CR-15 installation, this package will not be damaged when subjected to typical convection or IR oven reflow profiles. Refer to **M/A-COM Application Note #M538*** for maximum allowable reflow time and temperature. Alternatively, the package leads may be individually soldered. Whether an iron or hot gas soldering equipment is used, care should be taken to insure that the temperature is well controlled and electric static discharge (ESD) safe.

* Application Notes can be found by going to the Site Search Page on M/A-COM's web page (<http://www.macom.com/search/search.jsp>) and searching for the required Application Note.

Biasing Notes:

- ◆ The 100pF bypass capacitors must be placed as close to the V_{GG} and V_{DD} pins as possible (recommended < 100 mils).
- ◆ A negative bias must be applied to V_{GG} before applying a positive bias to V_{DD} to prevent damage to the amplifier.